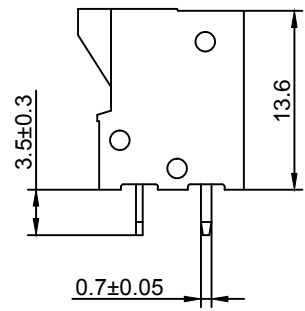
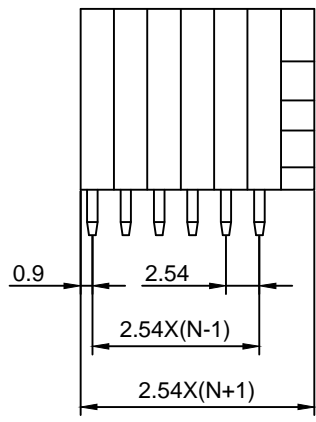
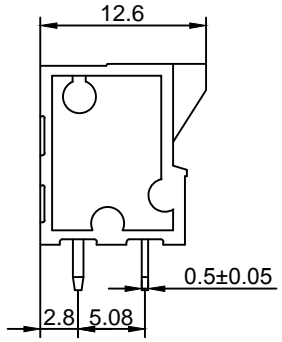


Material :
 (a) Housing : PA66(UL94V-0)
 (b) Wire Guard : Stainless Bronze
 (c) Button : PA66(UL94V-0)
 (d) Pin Header : Brass ; Tin Plated

Electrical :

	UL	IEC
1.Rated Voltage :	150V	130V
2.Rated Current :	2A	6A
3.Wire Range:	24-20AWG	0.2-1.0mm ²
4.Stripping Length :	11mm	
5.Withstanding Voltage :	AC1250V/1Min.	
6.Operating Temperature :	-40°C~+105°C	
7.RoHS Compliance		
8.Safety Approval :	cULus	
9.Undimensioned Tolerances:		

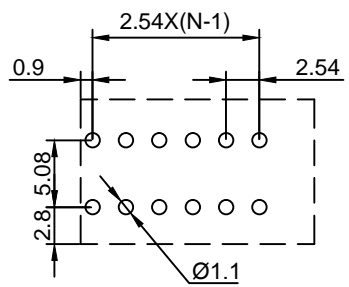
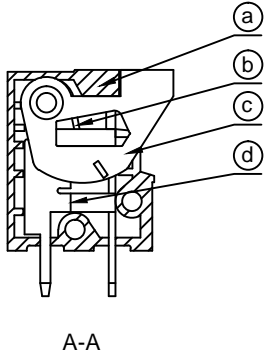


Pitch Range In mm			Nominal Dimension Range In mm					—	∩	∇
≤6	6 ~ 10	10 ~ 24	≤30	30 ~ 60	60 ~ 100	100 ~ 150	>150	0.05/10		
±0.10	±0.15	±0.25	±0.20	±0.30	±0.50	±0.70	±1.00	±0.1°		

GT141V - 2.54 - XXP - 1 4 - 00 AH

① ② ③ ④ ⑤ ⑥ ⑦

- ① Series No.
- ② Pitch
- ③ Poles
02 02Contacts
03 03Contacts
...
XX XXContacts
- ④ 1 Single Pitch
2 Double Pitch
- ⑤ Color: 1 Grey
2 Blue
3 Black
4 Green(Standard For AH)
5 Orange
6 Red
7 Transparent
8 Yellow
9 White
- ⑥ Customer Request : 00--Standard
- ⑦ AH--Standard(PA66)



DETACHED LISTS	Grolten NINGBO GOLTEN ELECTRONICS CO., LTD.		宁波冠泰电子有限公司		
	APPD: MA_4/13/17'	PART NO.	GT141V-2.54-XXP-14-00AH		
	CHKD: Yu_4/12/17'				
	DRFT: Chen_4/11/17'	DRAWING NO.	REV	1	
 THIRD ANGLE PROJECTION		MM (INCH)	DO NOT SCALE DRAWING	SHEET	1/1