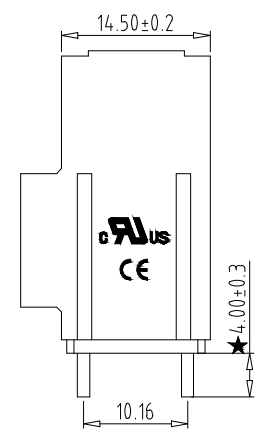
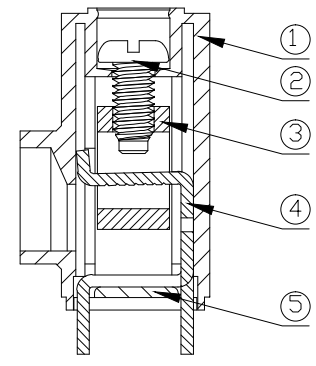
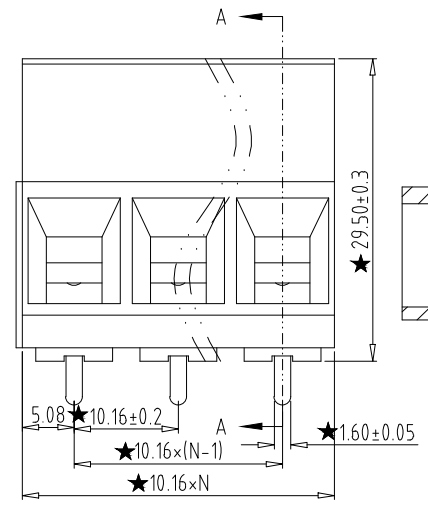
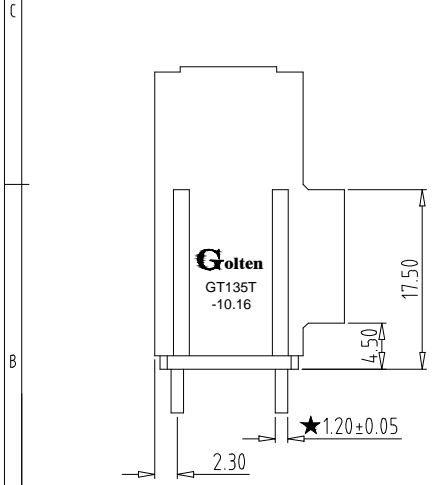
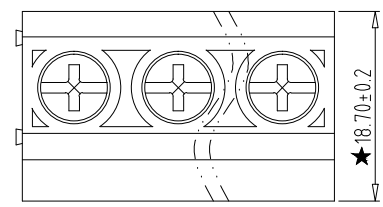
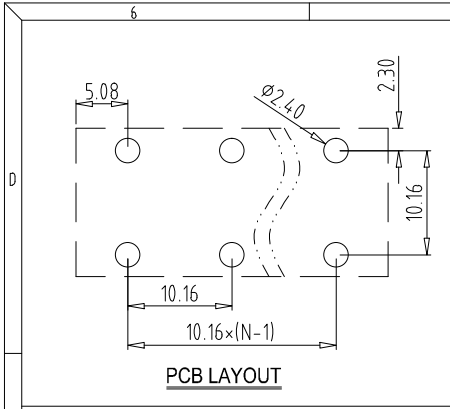


REV	CONTENT	CHK	DATE
V0.0	CONTENT	MYZ	21.06.28

**Electrical :**

- |                            |                                  |                   |
|----------------------------|----------------------------------|-------------------|
|                            | UL                               | IEC               |
| 1. Rated Voltage :         | 300V                             | 750V              |
| 2. Rated Current :         | 52A                              | 57A               |
| 3. Torque Value :          | M4 ,10.53Lb.in                   | M4, 1.2N.m        |
| 4. Wire Range:             | 20-6AWG                          | 10mm <sup>2</sup> |
| 5. Stripping Length :      | 10-11mm                          |                   |
| 6. Withstanding Voltage :  | AC3000V/1Min.                    |                   |
| 7. Operating Temperature : | -40 °C~+105 °C                   |                   |
| 8. RoHS Compliance         |                                  |                   |
| 9. Safty Approval :        | cULus CE                         |                   |
| 10. ★                      | is the key quality control point |                   |



- GT135T - 10.16 -XXP - X X - 00
- |    |            |   |  |
|----|------------|---|--|
| ①  | Series NO. | ④ | 1 Single Pitch<br>2 Double Pitch   |
| ②  | Pitch      | ⑤ | Color: 1 Grey<br>2 Blue<br>3 Black<br>4 Green<br>5 Orange<br>6 Red<br>7 Transparent<br>8 Yellow<br>9 White |
| ③  | Poles      | ⑥ | Customer Request: 00--Standard   |
| 02 | 02Contacts |   |  |
| 03 | 03Contacts |   |  |
| 24 | 24Contacts |   |  |

5	COVER	XX	1	PA66(UL94V-0)	SEE NOTE
4	Pin Header	XX	N	Brass	Tin Plated
3	BLOCK	XX	N	Brass	Ni Plated
2	SCREW	XX	N	Steel	Zn Plated
1	HOUSING	XX	1	PA66(UL94V-0)	SEE NOTE
ITEM	NAME OF PART	NO. OF PART	Q'TY	MATERIAL	NOTE
DWG.	MYZ	DATE	21.06.28	SIZE	A4 UNITS mm SHEET/OF 1 / 1
CHK.	DATE			SCALE	1:1
APP.	DATE			NAME	GT135T-10.16-XXP-XX-00
				DWGNO.	XXXX

Total Pitch Tolerances in mm										Nominal dimension range in mm										⊥		≡		—		//	
over	over	over	over	over	over	over	over	over	over	over	over	over	over	over	over	over	over	over	over	over	over	over	over	over	over	over	over
0	30	53	70	90	115	150	250	350	500	0	30	53	70	90	115	150	200	250	320	0	10	all	all	0	100	100	150
±0.18	±0.20	±0.25	±0.3	±0.35	±0.4	±0.60	±0.70	±0.85	±0.20	±0.25	±0.30	±0.35	±0.4	±0.44	±0.55	±0.70	±0.80	±0.90	0.2	0.3	0.3	0.2	0.3	0.2	0.3	0.5	0.5