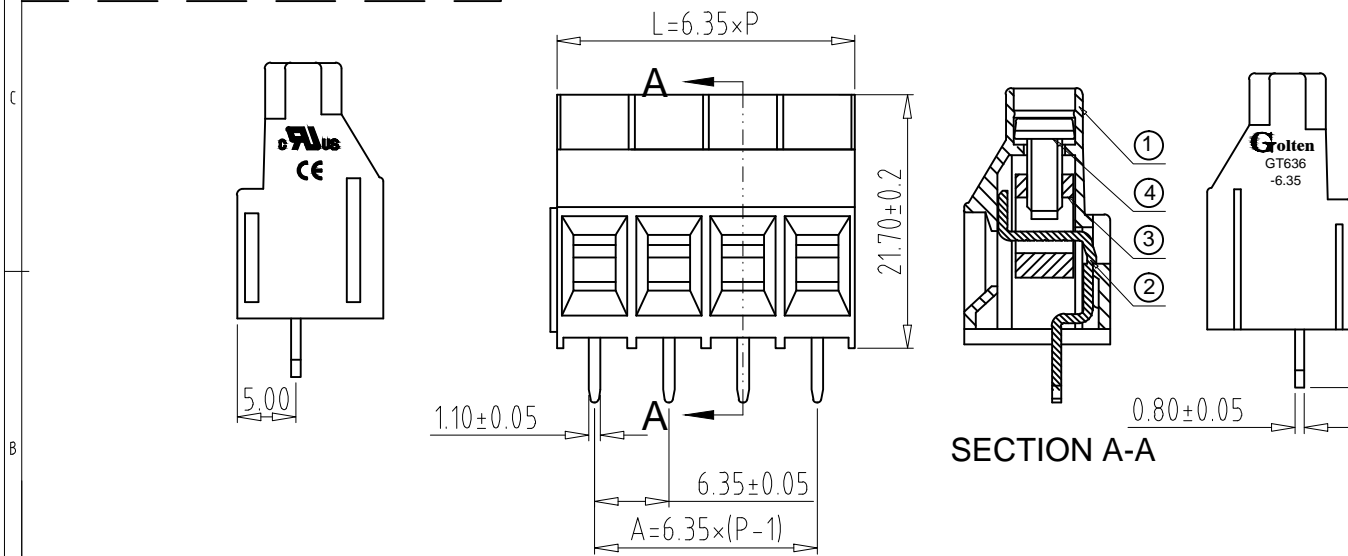
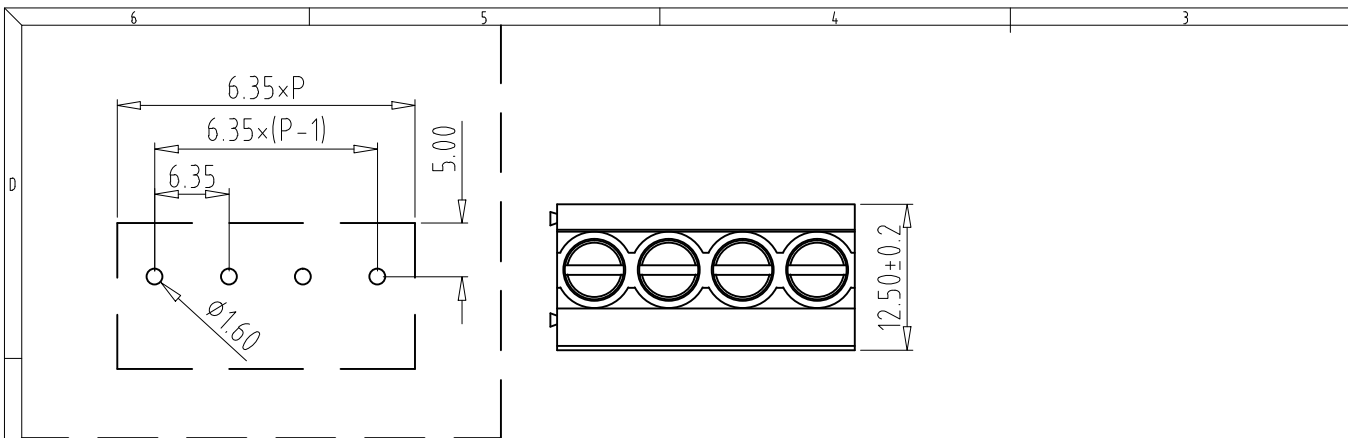
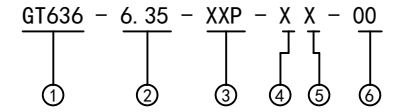


REV	CONTENT	CHK	DATE
V0.0	CONTENT	EXL	20.05.11



Electrical :

	UL	IEC
1. Rated Voltage :	300V	450V
2. Rated Current :	30A	24A
3. Torque Value :	M3 , 4.43Lb.in	M3 , 0.5N.m
4. Wire Range:	26-10AWG	1.5-4.0mm ²
5. Stripping Length :	7-8mm	
6. Withstanding Voltage :	AC2500V/1Min.	
7. Operating Temperature :	-40 °C~+105 °C	
8. RoHS Compliance		
9. Safty Approval :	UL	
10. ★ is the key quality control point.		



- ① Series No.
- ② Pitch
- ③ Poles
- ④ 1 Single Pitch
2 Double Pitch
- ⑤ Color: 1 Grey
2 Blue
3 Black
4 Green
5 Orange
6 Red
7 Transparent
8 Yellow
9 White
- ⑥ Customer Request : 00--Standard

4	SCREW	XX	P	STEEL	Zn Plated
3	BLOCK	XX	P	BRASS	Ni Plated
2	PIN	XX	P	BRASS	Tin Plated
1	HOUSING	XX	1	PA66 UL94V-0	SEE NOTE
ITEM	NAME OF PART	NO. OF PART	Q'TY	MATERIAL	NOTE
DWG.	CXL	DATE	20.05.11	SIZE	A4 UNITS mm SHEET/OF 1/1
CHK.	DATE		SCALE	1:1	
APP.	DATE		NAME	GT636-6.35-XXP-XX-00	
			DWGNO.	XXXX	

Total Pitch Tolerances in mm								Nominal dimension range in mm											
over	over	over	over	over	over	over	over	over	over	over	over	over	over	over	over	over	over	≡	//
0	30	53	70	90	115	150	250	0	30	53	70	90	115	150	200	250	320	0	over
to	to	to	to	to	to	to	to	to	to	to	to	to	to	to	to	to	to	to	150
±0.18	±0.20	±0.25	±0.3	±0.35	±0.44	±0.60	±0.85	±0.20	±0.25	±0.30	±0.35	±0.44	±0.55	±0.70	±0.80	±0.90	0.2	0.3	0.3