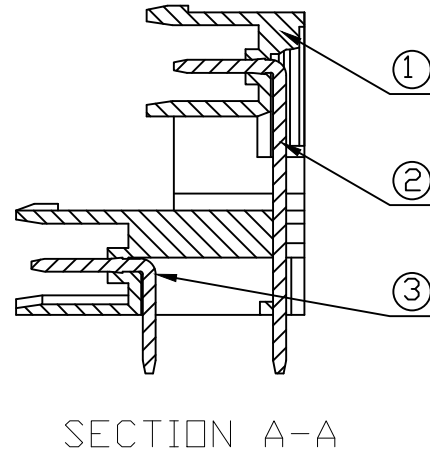
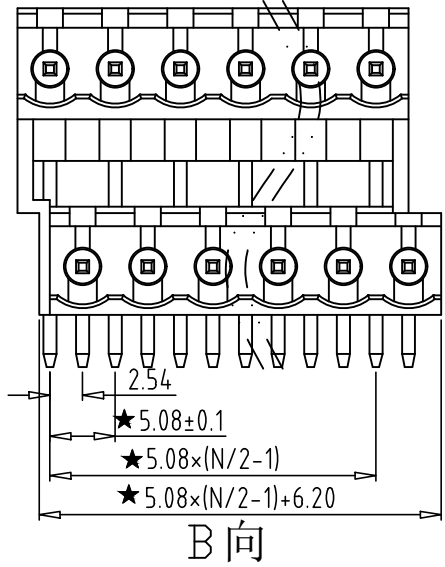
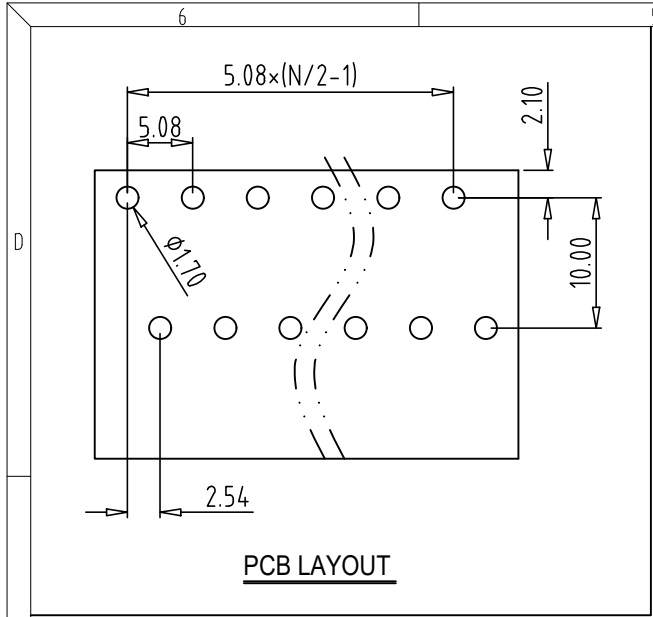
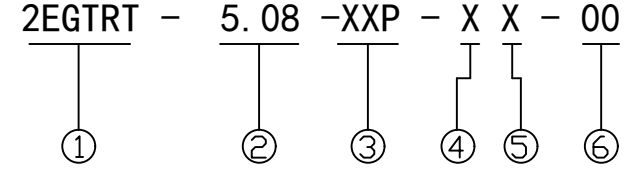


REV	CONTENT	CHK	DATE
V0.0	CONTENT	MYZ	21.07.08

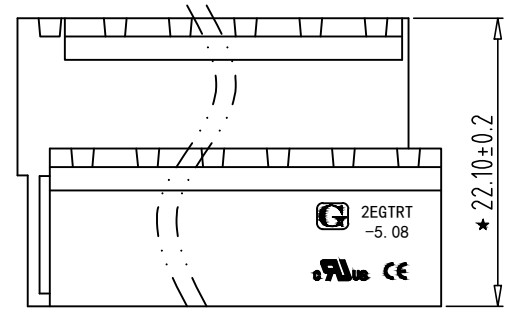
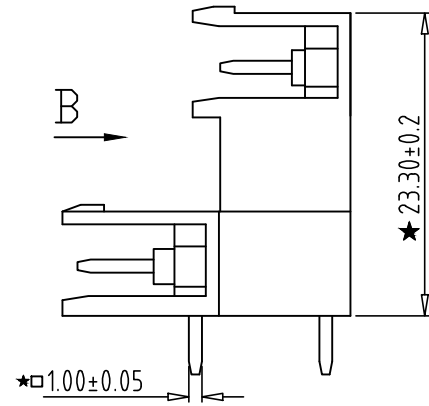
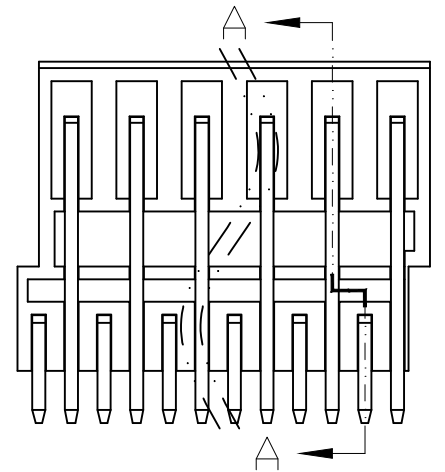
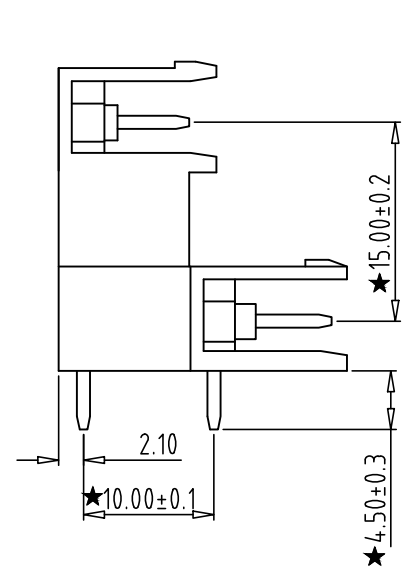


Electrical :

- | | | |
|--|---------------|------|
| | UL | IEC |
| 1. Rated Voltage : | 300V | 320V |
| 2. Rated Current : | 15A | 10A |
| 3. Withstanding Voltage : | AC1600V/1Min; | |
| 4. Operating Temperature : | -40°C~+105°C; | |
| 5. RoHS Compliance; | | |
| 6. Safty Approval : | cULus CE | |
| 7. "★" is the key quality control point. | | |



- ① Series NO.
- ② Pitch
- ③ Poles
02 02Contacts
03 03Contacts
...
24 24Contacts
- ④ 1 Single Pitch
2 Double Pitch
- ⑤ Color: 1 Grey
2 Blue
3 Black
4 Green
5 Orange
6 Red
7 Transparent
8 Yellow
9 White
- ⑥ Customer Request: 00-- Standard



Total Pitch Tolerances in mm										Nominal dimension range in mm										⊥	=	-	//						
over 0	over 30	over 53	over 70	over 90	over 115	over 150	over 250	over 350	over 500	over 0	over 30	over 53	over 70	over 90	over 115	over 150	over 200	over 250	over 320	0	over 10	over 100	over 150	0	10	all	0	100	150
±0.18	±0.20	±0.25	±0.3	±0.35	±0.44	±0.60	±0.70	±0.85	±0.20	±0.25	±0.30	±0.35	±0.44	±0.55	±0.70	±0.80	±0.90	0.2	0.3	0.3	0.2	0.3	0.5						

3	PIN-02	XX	N/2	BRASS	Tin Plated
2	PIN-01	XX	N/2	BRASS	Tin Plated
1	HOUSING	XX	1	PA66 UL94V-0	SEE NOTE
ITEM	NAME OF PART	NO. OF PART	Q'TY	MATERIAL	NOTE
DWG.	MYZ	DATE	21.07.08	SIZE	A4 UNITS mm SHEET/OF 1/1
CHK.	DATE		SCALE	1:1	
APP.	DATE				
NAME			2EGTRT-5.08-XXP-XX-00		
DWGNO.			XXXX		