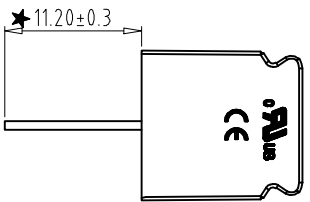
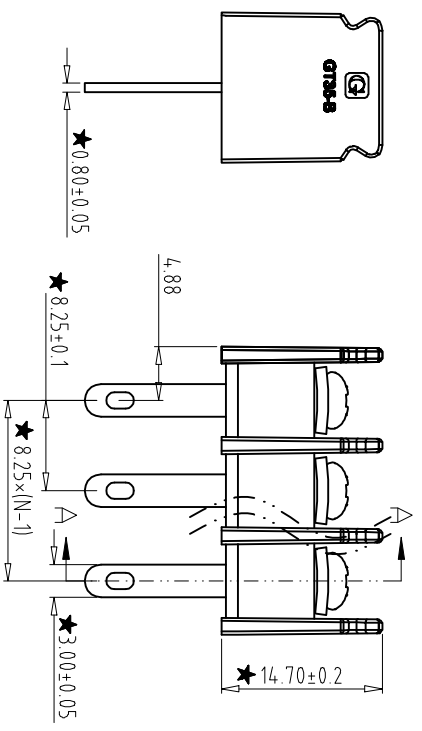


SECTION A-A

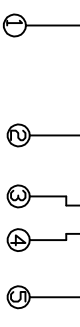


REV	CONTENT	CHK	DATE
V0.0	CONTENT	MYZ	2107.02
V0.1	更新图纸	LZW	23.04.20

Electrical :

- | | |
|-------------------------------------------|--------------------|
| UL | IEC |
| 1. Rated Voltage : 300V | 450V |
| 2. Rated Current : 20A | 24A |
| 3. Torque Value : M3, 4.43Lb/in | M3, 0.5N/m |
| 4. Wire Range : 22-12AWG | 2.5mm ² |
| 5. Stripping Length : 7.6mm | |
| 6. Withstanding Voltage : AC1600V/1Min. | |
| 7. Operating Temperature : -40°C~+110°C | |
| 8. RoHS Compliance | |
| 9. Safety Approval : RoHS CE | |
| 10. "*" is the key quality control point. | |

GT35H-B - XXP - X X - 00



- ① Series No.
- ③ 1 Single Pitch
- ② Double Pitch
- ④ Color:

- ② Poles
- 02 02Contacts
- 03 03Contacts
-
- 24 24Contacts

⑤ Customer Request : 002Shield

Total Pitch Tolerances		Nominal dimension range	
in mm		in mm	

0	30	53	70	90	115	150	250	350	0	30	53	70	90	115	150	200	250	0	over	0	over	100	over		
to	to	to	to	to	to	to	to	to	to	to	to	to	to	to	to	to	to	to	to	all	to	to	to	150	over
30	53	70	90	115	150	250	350	500	30	53	70	90	115	150	200	250	320	10	0.3	0.3	0.2	0.3	0.3	0.5	
+0.18±0.20±0.25±0.3		±0.35±0.44±0.60±0.70±0.85±0.20±0.25±0.30±0.35±0.44±0.55±0.70±0.80±0.90		0.2		0.3		0.3		0.2		0.3		0.2		0.3									

1	Housing	XXXXXX	1	PA66	UL94V-0
2	Contact	XXXXXX	N	Brass	Tin Plated
3	Screws	XXXXXX	N	Steel	Ni Plated
DWG	MYZ	DATE	2107.02	SCALE	1:1
CHK	DATE			NAME	GT35H-B-XXP-XX-00
APP	DATE			NAME	XXXXXX



宁波冠泰电子有限公司

NINGBO GOLDTEN ELECTRONICS CO., LTD. DWGNO. XXXXX