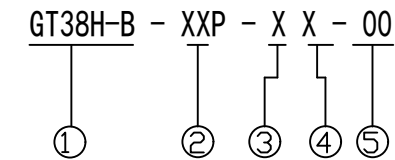
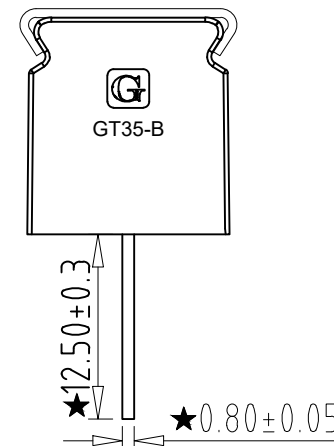
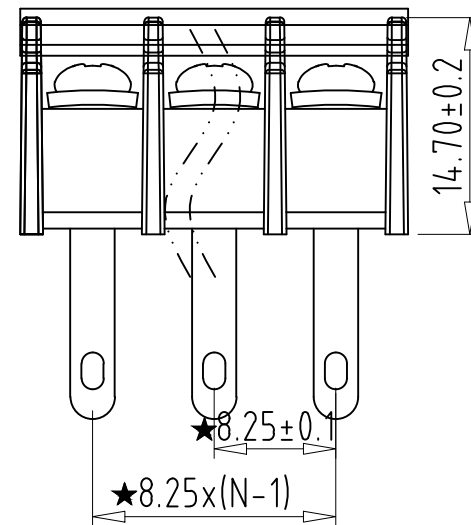
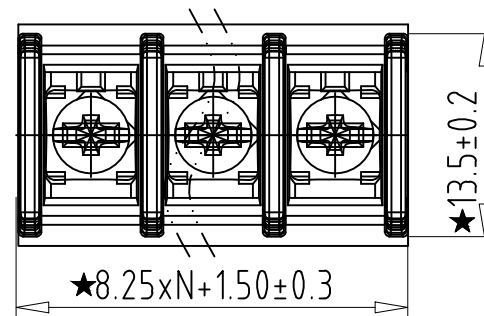
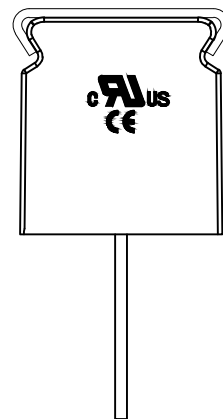
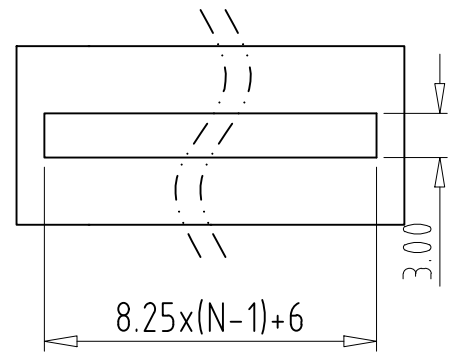


REV	CONTENT	CHK	DATE
V0.0	CONTENT	YL	22.10.21

**Electrical :**

- |                                         |               |                    |
|-----------------------------------------|---------------|--------------------|
|                                         | UL            | IEC                |
| 1.Rated Voltage :                       | 300V          | 450V               |
| 2.Rated Current :                       | 20A           | 24A                |
| 3.Torque Value :                        | M3 ,4.43Lb.in | M3 0.5N.m          |
| 4.Wire Range:                           | 22-12AWG      | 2.5mm <sup>2</sup> |
| 5.Stripping Length :                    | 7-8mm         |                    |
| 6.Withstanding Voltage :                | AC1600V/1Min. |                    |
| 7.Operating Temperature :               | -40°C~+105°C  |                    |
| 8.RoHS Compliance                       |               |                    |
| 9.Safety Approval :                     | cULus CE      |                    |
| 10."★" is the key quality control point |               |                    |

**PCB LAYOUT**



- ① Series NO.
- ② Poles  
02 02Contacts  
03 03Contacts  
...  
24 24Contacts
- ③ 1 Single Pitch  
2 Double Pitch
- ④ Color: 1 Grey  
2 Blue  
3 Black  
4 Green  
5 Orange  
6 Red  
7 Transparent  
8 Yellow  
9 White
- ⑤ Customer Request: 00--Standard

3	SCREW	XX	P	STEEL	Zn Plated
2	PIN	XX	P	BRASS	Tin Plated
1	HOUSING	XX	1	PA66 UL94V-0	SEE NOTE
ITEM	NAME OF PART	NO. OF PART	Q'TY	MATERIAL	NOTE
DWG.	YL	DATE	22.10.21	SIZE	A4 UNITS mm SHEET/OF 1 / 1
CHK.	DATE		SCALE	1:1	
APP.	DATE				
宁波冠泰电子有限公司 NINGBO GOLTEN ELECTRONICS CO., LTD.			NAME	GT38H-B-XXP-XX-00	
			DWGNO.	XXXX	

Total Pitch Tolerances in mm										Nominal dimension range in mm										⊥	=	-	//			
over	over	over	over	over	over	over	over	over	over	over	over	over	over	over	over	over	over	over	over	over	over	over	over	over	over	over
0	30	53	70	90	115	150	250	350	500	0	30	53	70	90	115	150	200	250	320	0	10	all	0	100	150	
±0.18	±0.20	±0.25	±0.3	±0.35	±0.44	±0.60	±0.70	±0.85	±0.20	±0.25	±0.30	±0.35	±0.44	±0.55	±0.70	±0.80	±0.90	0.2	0.3	0.3	0.2	0.3	0.5			