
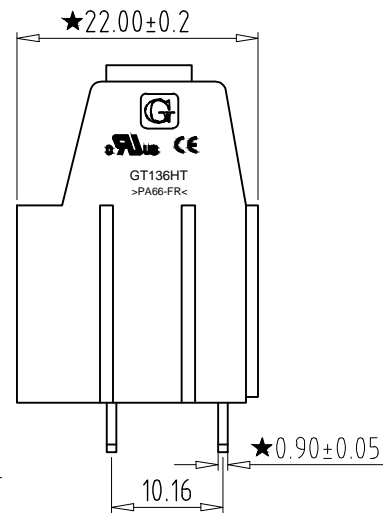
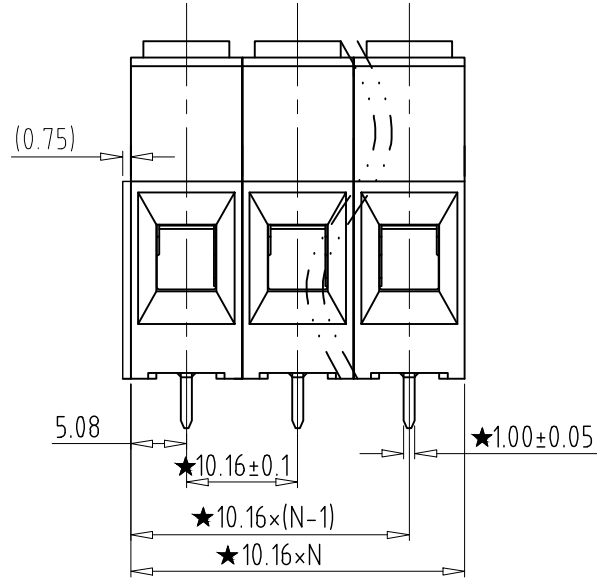
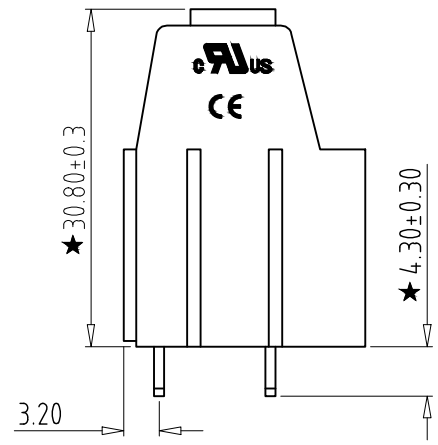
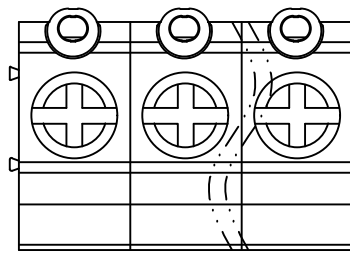
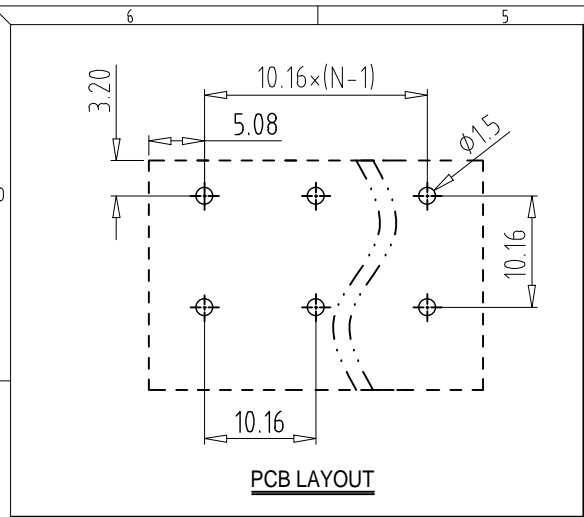


REV	CONTENT	CHK	DATE
V0.0	CONTENT	MYZ	21.06.28
V0.1	依实物修正图面	MYZ	21.08.15

Electrical :

- | | | |
|--|---|-------------------|
| | UL | IEC |
| 1. Rated Voltage : | 600V | 1000V |
| 2. Rated Current : | 50A | 65A |
| 3. Torque Value : | M4 ,10.53Lb.in | M4, 1.2N.m |
| 4. Wire Range: | 20-10AWG | 16mm ² |
| 5. Stripping Length : | 9-10mm | |
| 6. Withstanding Voltage : | AC3000V/1Min. | |
| 7. Operating Temperature : | -40°C~+105°C | |
| 8. RoHS Compliance | | |
| 9. Safty Approval : |  | |
| 10. "★" is the key quality control point | | |



- GT136HT - 10.16 -XXP - X X - 00
-
- ① Series NO.
 - ② Pitch
 - ③ Poles
02 02Contacts
03 03Contacts
24 24Contacts
 - ④ 1 Single Pitch
2 Double Pitch
 - ⑤ Color: 1 Grey
2 Blue
3 Black
4 Green
5 Orange
6 Red
7 Transparent
8 Yellow
9 White
 - ⑥ Customer Request: 00--Standard

4	Pin Header	XX	N	Brass	Tin Plated
3	BLOCK	XX	N	Brass	Ni Plated
2	SCREW	XX	N	Steel	Zn Plated
1	HOUSING	XX	N	PA66(UL94V-0)	SEE NOTE
ITEM	NAME OF PART	NO. OF PART	Q'TY	MATERIAL	NOTE
DWG.	MYZ	DATE	21.06.28	SIZE	A4 UNITS mm SHEET/OF 1 / 1
CHK.	DATE			SCALE	1:1
APP.	DATE			NAME	GT136HT-10.16-XXP-XX-00
				DWGNO.	XXXX

Total Pitch Tolerances in mm									Nominal dimension range in mm									⊥	=	-	//		
over	over	over	over	over	over	over	over	over	over	over	over	over	over	over	over	over	over	over	0	over	0	over	over
0	30	53	70	90	115	150	250	350	0	30	53	70	90	115	150	200	250	0	over	0	100	over	
to	to	to	to	to	to	to	to	to	to	to	to	to	to	to	to	to	to	10	all	to	to	150	
30	53	70	90	115	150	250	350	500	30	53	70	90	115	150	200	250	320	10		100	150		
±0.18	±0.20	±0.25	±0.3	±0.35	±0.44	±0.60	±0.70	±0.85	±0.20	±0.25	±0.30	±0.35	±0.44	±0.55	±0.70	±0.80	±0.90	0.2	0.3	0.3	0.2	0.3	0.5